

Compact ASCO Actuator Control System



ASCO Actuator Control System

- Reliable pneumatic Actuator Control System in full 316L stainless steel
- Lighter, stronger and more compact than conventional panel mounting units
- Modular system existing of a range of standard explosion-proof components
- Solenoid valves, spool valves, redundant valves, manual reset valves and filter/regulators are connected by means of a versatile leak-tight coupling system. They are all mounted on a vibration-resistant stainless steel base plate

From the inventor of solenoid solutions

- Optimised flow path
- One predefined flow factor to determine actuator/control valve speed
- Simple versatile connecting system in 1/4" or 1/2" NPT, tested up to 150 bar
- Using standard ASCO proven technology products such as series 327 balanced poppet valves and series 551-553 spool valves

Easy installation and reduced costs

- Preassembled ready-to-use system, using ASCO's coupling system
- Significant reduction in installation cost over panel-mounted assemblies
- Integrated mounting facility eliminates incorrect installation with complex arrangements of panels, pipes, brackets or additional fittings, thereby reducing leak points and costs
- Easy to maintain and interchange

Flexibility

- Modular assembly enables many configurations with filter/regulators and various single or redundant solenoids
- Various types of valves and solenoid housings
- 3/2 or 5/2 function for single or double acting actuators
- 2 levels of filtration: 5 µm or 50 µm
- Optional: manual operator and manual reset



Safety and Reliability

The ASCO solenoid valves are ATEX/IECEx (Ex d, Ex em, Ex i), IEC 61508, NEMA, UL and CSA approved and therefore suitable for hazardous areas and critical applications.

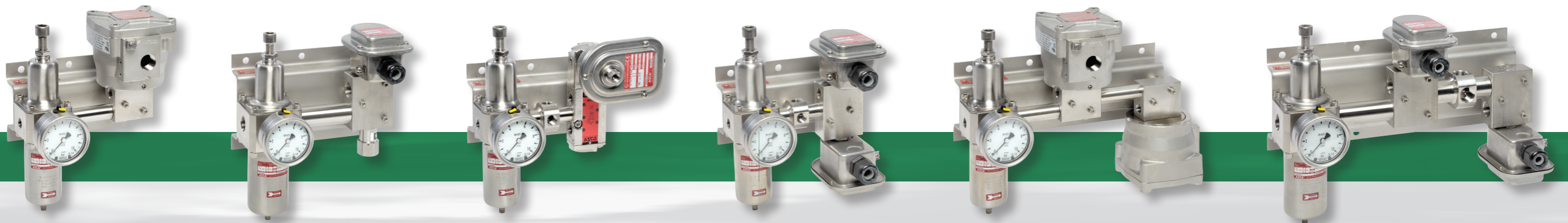
Worldwide service

- Over 1000 service points and 20 manufacturing plants worldwide
- Global and local service organisations can assist you in selecting the right system configuration for your application
- The widest variety of solenoid valves in the world

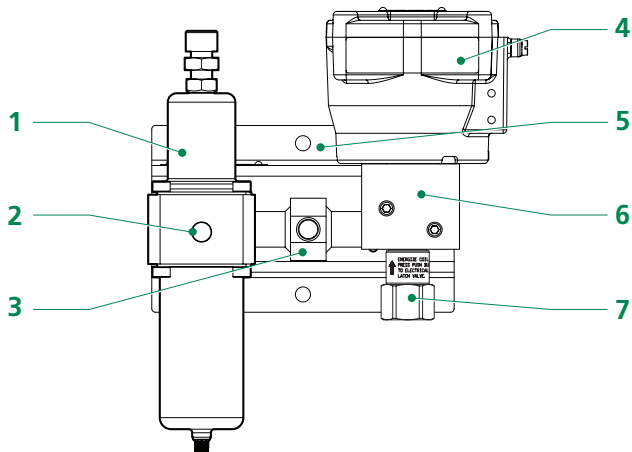
"High reliability, safety and robustness minimise down time of our production process."

"Finally, one flow factor for the complete system, enabling fast and easy determination of my actuator speed."

"Readily available full-standard modules, supplied by ASCO's service organisation."



Technical information



- 1 Filter/regulator with 5 µm or 50 µm filtration level
- 2 Optional: pressure gauge
- 3 Coupling system with 3 ports for pressure gauge, pressure relief valve or additional supply
- 4 Explosion-proof solenoid with ATEX, IECEx and many other approvals
- 5 Stainless steel base plate
- 6 3/2 direct acting poppet valve series 327 or 5/2 spool valves series 551-553
- 7 Manual operator or Manual reset option

Valve configurations and flow values

Filter regulator and solenoid valve function:	Solenoid valve type & construction	Pipe size	Flow value solenoids at 6 bar (l/min) ANR	Flow value solenoids Kv (m ³ /h)
1 X 3/2	Series 327; direct acting, poppet	1/4"	5.15	0.45
1 X 3/2	Series 551; pilot operated, spool	1/4"	8.60	0.75
2 X 3/2 (redundant; shared valve body)	Series 327; direct acting, poppet	1/4"	3.45	0.30
2 X 3/2 (redundant; two separate valves)	Series 327; direct acting, poppet	1/4"	3.45	0.30
1 X 5/2	Series 551; pilot operated, spool	1/4"	8.60	0.75
1 X 3/2	Series 327; direct acting, poppet	1/2"	20.00	1.50
1 X 3/2	Series 553; pilot operated, spool	1/2"	36.10	3.15
2 X 3/2 (redundant; two separate valves)	Series 327; direct acting, poppet	1/2"	11.45	1.00
1 X 5/2	Series 553; pilot operated, spool	1/2"	36.10	3.15

ASCO Numatics, the Fluid Automation Solution Provider

ASCO Numatics is the worldwide leader in the design and manufacture of quality solenoid valves and pneumatic components.

ASCO products are designed to control the flow of air, gas, water, oil and steam. Our heritage of innovation has resulted in an extensive line of products that range from two positions on/off valves to entire flow control solutions designed to meet requirements of thousands of customers. Whether you need a minor modification of a

core product or a complete flow control solution, we can help.

For the most complete source of information on solenoid valves for the process industry, please visit our special websites: www.asco-process-scope.com and www.asconumatics.eu.

Committed to worldwide leadership in Valves and Valve System technology.

ASCO
numaticsTM