

Mark 58FT/58A Series

CRN Registration Number Available

Cage Trim Back Pressure Regulators

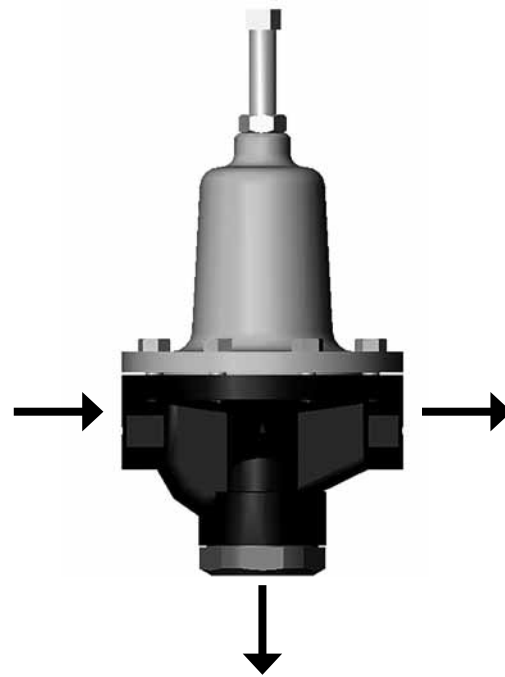
Mark 58FT installation – designed to be installed in a "T" fashion such that the fluid normally flows in one side and out the other side, with the flow being relieved through the bottom bypass when the pressure exceeds the setting.

Mark 58A installation – designed to be installed with one side port as an inlet and the other side port plugged with the flow being relieved through the bottom bypass when the pressure exceeds the setting.

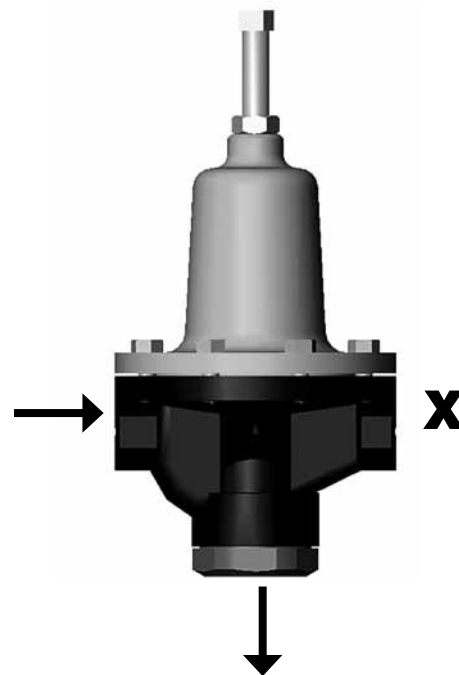
The Mark 58 is available in sizes up to 2" (DN50) in a wide variety of body materials. Diaphragms can be either Stainless Steel or elastomer. Low flow versions with Cv values as low as 0.21 (0,18 Kv) are available in certain sizes.

FEATURES

- Easy to maintain and service – remove bottom entry cage to access plug; diaphragm accessible from top
- Large effective diaphragm area – reduces droop for increased accuracy and sensitivity
- Large orifices and body passages – provides high flow capacities
- "Tight Shutoff" – choice of hard (ANSI CL IV) or soft (ANSI CL VI) bubble tight seats
- Versatile application – use on steam, air, gas liquids or chemicals



MK58FT installation



MK58A installation



Jordan Valve, a division of Richards Industries
3170 Wasson Road • Cincinnati, OH 45209
513.533.5600 • 800.543.7311 • 513.871.0105 (f)
info@richardsind.com • www.jordanvalve.com

SPECIFICATIONS

Sizes: 1/4" through 2" (DN8 through DN50)

End Connections Inlet & Flow Thru

- Threaded — FNPT, BSPT, BSPP
- ANSI Flanges — 150#, 300# (1/2" – 2")
- DIN Flanges — PN10/16, PN25/40 (1/2" – 2")
- See accessories for bottom/bypass connections other than FNPT

Body Materials

- Ductile Iron
- Bronze
- Carbon Steel
- Stainless Steel

Hard Seat Plug

- 17-4 plug with EPDM (Option 'H') -20°F to 500°F (-29°C to 260°C)
- 17-4 plug with Viton (Option 'F') -20°F to 400°F (-29°C to 204°C)

Soft Seat Plug

- Buna-N / 316 (Option 'B') -20°F to 200°F (-29°C to 93°C)
- Viton / 316 (Option 'V') -20°F to 350°F (-29°C to 177°C)
- EPDM / 316 (Option 'J') -20°F to 350°F (-29°C to 177°C)

Stem: 17-4 Ph Stainless Steel

Bottom/Bypass Cage

- BR/DI/CS/SS: 316/316L if threaded
- BR/DI/CS: E-Nickel plated A105 if flanged

Cage Seat: Stainless Steel

Spring Housing: Cast Iron

Diaphragm

- Buna-N: -20°F to 200°F (-29°C to 93°C)
- EPDM: -20°F to 350°F (-29°C to 177°C); (290°F / 143°C for continuous steam)
- Jorlon: -20°F to 450°F (-29°C to 232°C)
- 316/316L SST: -20°F to 500°F (-29°C to 260°C)
- Viton/Nomex: -20°F to 450°F (-29°C to 232°C)

Shutoff

- Hard Seat: ANSI Class IV
- Soft Seat: ANSI Class VI for bubble-tight shutoff

Spring Ranges PSI (BAR)

Size (DN)	PSI	BAR
1/4" to 1/2" (DN8 to DN15)	1-10; 5-25; 20-50; 40-200; 175-275	0,1-0,7; 0,3-1,7; 1,4-3,5; 2,8-13,8; 12,1-19,0
3/4" & 1" (DN20 & DN25)	1-7; 5-22; 15-105; 95-145; 135-215	0,1-0,5; 0,3-1,5; 1,0-7,2; 6,6-10,0; 9,3-14,8
1-1/4" to 2" (DN32 to DN50)	1-20; 15-70; 60-105; 95-150	0,1-1,4; 1,0-4,8; 4,1-7,2; 6,6-10,3

Maximum Inlet Pressure: 300 psi (20,7 bar)

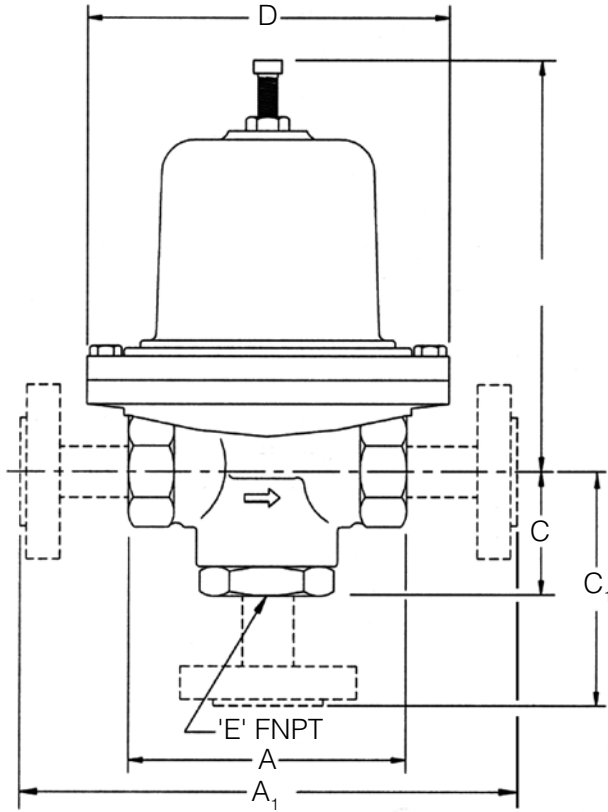
Cv (Kv) Values

Valve Size In. (DN)	F _L	Flow-Thru Cv (Kv)
		58FT Only
1/4" (DN8)	0.80	3.1 (2,7)
3/8" (DN10)	0.80	5.8 (5,0)
1/2" (DN15)	0.80	10.8 (9,3)
3/4" (DN20)	0.80	16.4 (14,1)
1" (DN25)	0.80	26 (22,4)
1" (DN25)	0.80	26 (22,4)
1-1/4" (DN32)	0.85	55 (47,3)
1-1/2" (DN40)	0.85	85 (73,1)
2" (DN50)	0.85	105 (90,3)

Valve Size In (DN)	Diaphragm	Cv (Kv)
1/4", 3/8", 1/2" (DN8, DN10, DN15)	All	0.21, 0.42, 0.84, 1.6, 2.6 (0,18; 0,36; 0,72; 1,4; 2,2)
3/4", 1" (DN20, DN25)	All	0.21, 0.42, 0.84, 1.6, 2.9, 4.4 (0,18; 0,36; 0,72; 1,4; 2,5; 3,8)
3/4" (DN20)	Metal	5.5, 7.9 (4,7; 6,8)
3/4" (DN20)	Elastomer	6.5, 9.4 (5,6; 8,1)
1" (DN25)	Metal	5.7, 8.9 (4,9; 7,7)
1" (DN25)	Elastomer	6.8, 11.3 (5,9; 9,7)
1-1/4", 1-1/2", 2" (DN32, DN40, DN50)	All	1.6, 2.9, 4.4, 5.6, 7.7 (1,4; 2,5; 3,8; 4,8; 6,6)
1-1/4" (DN32)	Metal	13.5, 15.5 (11,6; 13,4)
1-1/4" (DN32)	Elastomer	17.6, 22.3 (15,2; 19,2)
1-1/2" (DN40)	Metal	14.2, 16.9 (12,2; 14,6)
1-1/2" (DN40)	Elastomer	18.8, 24.0 (16,2; 20,7)
2" (DN50)	Metal	17.4, 21.7 (15,0; 18,7)
2" (DN50)	Elastomer	24.7, 32.4 (21,3; 27,9)

MARK 58FT/58A CAGE TRIM BACK PRESSURE REGULATOR

DIMENSIONS



Standard bottom/bypass is FNPT per chart.
See accessories for optional connections.

- Threaded Ends – inches (metric)

Size (DN)	Dimensions — Inches (mm)					Weight lbs (kgs)
	A	B	C	D	E	
1/4" (8)	5.0 (127)	7.6 (194)	2.6 (65)	5.0 (127)	1/2" (15)	11 (5)
3/8" (10)	5.0 (127)	7.6 (194)	2.6 (65)	5.0 (127)	1/2" (15)	11 (5)
1/2" (15)	5.0 (127)	7.6 (194)	2.6 (65)	5.0 (127)	1/2" (15)	11 (5)
3/4" (20)	5.0 (127)	8.8 (222)	2.6 (65)	6.9 (174)	1" (25)	20 (9)
1" (25)	5.0 (127)	8.8 (222)	2.6 (65)	6.9 (174)	1" (25)	20 (9)
1-1/4" (32)	7.50 (191)	16.8 (426)	4.0 (102)	9.4 (238)	2" (50)	68 (31)
1-1/2" (40)	7.50 (191)	16.8 (426)	4.0 (102)	9.4 (238)	2" (50)	68 (31)
2" (50)	7.50 (191)	16.8 (426)	4.0 (102)	9.4 (238)	2" (50)	68 (31)

- Flanged Ends – inches (metric)

Size (DN)	Flange ANSI (PN)*	Dimensions — Inches (mm)					Weight lbs (kgs)
		A1 ⊕	B	C1	D	E	
1/2" (15)	150# (10/16)	9.50 (241)	7.62 (194)	2.6 (65)	5.0 (127)	1/2" (15)	15 (7)
	300# (25/40)	9.75 (248)	7.62 (194)	2.6 (65)	5.0 (127)	1/2" (15)	18 (8)
3/4" (20)	150# (10/16)	9.50 (241)	8.75 (222)	2.6 (66)	6.87 (174)	1" (25)	27 (12)
	300# (25/40)	9.75 (248)	8.75 (222)	2.6 (66)	6.87 (174)	1" (25)	30 (14)
1" (25)	150# (10/16)	9.50 (241)	8.75 (222)	2.6 (66)	6.87 (174)	1" (25)	27 (12)
	300# (25/40)	9.75 (248)	8.75 (222)	2.6 (66)	6.87 (174)	1" (25)	30 (14)
1-1/4" (32)	150# (10/16)	13.00 (330)	16.8 (426)	4.0 (102)	9.4 (238)	2" (50)	75 (33)
	300# (25/40)	13.25 (337)	16.8 (426)	4.0 (102)	9.4 (238)	2" (50)	81 (37)
1-1/2" (40)	150# (10/16)	13.00 (330)	16.8 (426)	4.0 (102)	9.4 (238)	2" (50)	78 (35)
	300# (25/40)	13.25 (337)	16.8 (426)	4.0 (102)	9.4 (238)	2" (50)	87 (40)
2" (50)	150# (10/16)	13.00 (330)	16.8 (426)	4.0 (102)	9.4 (238)	2" (50)	84 (38)
	300# (25/40)	13.25 (337)	16.8 (426)	4.0 (102)	9.4 (238)	2" (50)	90 (41)

⊕ Not to ANSI

* Other configurations available, consult factory

ORDERING SCHEMATIC

Model No	Size	Body Mat'l

1	2	3	4	5	6

7	8	9	10	11	12

	Model
58FT	Flow thru installation
58A	Angle flow installation

	Size
025	1/4" (DN8)
038	3/8" (DN10)
050	1/2" (DN15)
075	3/4" (DN20)
100	1" (DN25)
125	1-1/4" (DN32)
150	1-1/2" (DN40)
200	2" (DN50)

	Body Material
DI	Ductile Iron
CS	Carbon Steel (WCB)
S6	Stainless Steel (CF8M)
BR	Bronze

1 & 2	End Connections
PT	NPT
BT	BSPT
BP	BSPP
SW	FSW
F5	150# FE
F3	300# FE
F7	PN10 DIN FE
F6	PN16 DIN FE
F8	PN25 DIN FE
F4	PN40 DIN FE
ZZ	Non-Standard

Note: Standard bottom/bypass port is FNPT.

1/2" for 025-050

1" for 075-100

2" for 125-200

ORDERING SCHEMATIC (CON'T)

Model No	Size	Body Mat'l	1	2	3	4	5	6	7	8	9	10	11	12

3	Plug Seat Material
B	Buna-N
V	Viton
J	EPDM
H	Hard/EPDM
F	Hard/Viton
Z	Non-Standard

7 & 8	Diaphragm
BN	Buna-N
EP	EPDM
JL	Jorlon
S6	316SST
VI	Viton
ZZ	Non-Standard

4	Plug Seat Cv (Kv)		
1	0.21 (0,18)	J	9.4 (8,1)
2	0.42 (0,36)	K	11.3 (9,7)
3	0.84 (0,72)	L	13.4 (11,5)
4	1.6 (1,4)	M	13.5 (11,6)
6	2.6 (2,2)	N	14.2 (12,2)
7	2.9 (2,5)	P	15.5 (13,3)
8	4.4 (3,8)	R	16.9 (14,5)
A	5.5 (4,7)	T	17.4 (15,0)
B	5.6 (4,8)	U	17.6 (15,1)
C	5.7 (4,9)	V	18.8 (16,2)
D	6.5 (5,6)	X	21.7 (18,7)
E	6.8 (5,9)	Y	22.3 (19,2)
G	7.7 (6,6)	1	24.0 (20,6)
H	7.9 (6,8)	2	24.7 (21,2)
I	8.9 (7,7)	3	32.4 (28,0)
ZZ	Non-Standard		

9 & 10	Actuator
1/4", 3/8", 1/2" (DN8, DN10, DN15)	
M1	S6 Diaph/Ranges 20-50 & below
E1	VI, BN, & JL Diaph/Ranges 20-50 & below
M2	S6 Diaph/Ranges 40-200 & above
E2	VI, BN, & JL Diaph/Ranges 40-200 & above
ZZ	Non-Standard
3/4", 1" (DN20, DN25)	
MD	For Metal Diaph (S6) All Ranges
E1	VI, BN, & JL Diaph/Ranges 5-22 & below
E2	VI, BN, & JL Diaph/Ranges 15-105 & above
ZZ	Non-Standard
1-1/4", 1-1/2", 2" (DN32, DN40, DN50)	
MD	For Metal Diaph (S6) / All Ranges
ED	For Elastomer Di (VI, BN, & JL) / All Ranges
ZZ	Non-Standard

5 & 6	Range
1/4", 3/8", 1/2" (DN8, DN10, DN15)	
C2	1 - 10 (0,07 - 0,7)
C8	5 - 25 (0,3 - 1,7)
54	20 - 50 (1,4 - 3,5)
CJ	40 - 200 (2,8 - 13,8)
CW	175 - 275 (12,1 - 19,0)
ZZ	Non-Standard
3/4", 1" (DN20, DN25)	
C1	1 - 7 (0,07 - 0,5)
C7	5 - 22 (0,3 - 1,5)
CD	15 - 105 (1,0 - 7,2)
CR	95 - 145 (6,6 - 10,0)
CU	135 - 215 (9,3 - 14,8)
ZZ	Non-Standard
1-1/4", 1-1/2", 2" (DN32, DN40, DN50)	
C3	1 - 20 (0,07 - 1,4)
CC	15 - 70 (1,0 - 4,8)
CN	60 - 105 (4,1 - 7,2)
CS	95 - 150 (6,6 - 10,3)
ZZ	Non-Standard

11 & 12	Accessories
00	None
S6	316SS Bolting
SC	Oil-Free Clean
XC	Oxygen Clean
BP	BSPP Bottom/Bypass
BT	BSPT Bottom/Bypass
F1	125# FE Bottom/Bypass
F5	150# FE Bottom/Bypass
F2	250# FE Bottom/Bypass
F3	300# FE Bottom/Bypass
F7	PN10 DIN FE Bottom/Bypass
F6	PN16 DIN FE Bottom/Bypass
F8	PN25 DIN FE Bottom/Bypass
F4	PN40 DIN FE Bottom/Bypass
ZZ	Non-Standard

Note: Optional bottom/bypass port for BSPP and BSPT
 1/2" for 025-050
 1" for 075-100
 2" for 125-200
 Matches valve line size if flanged
 Contact factory for other options

